



Instructions F1 Engine (Revision 1)

**This is the first part of what has to become a 1 : 48 scale Apollo / Saturn V model.
To test my own skills I did build just one F1 Engine and put it on a small base.
This is the model you now have before you.**

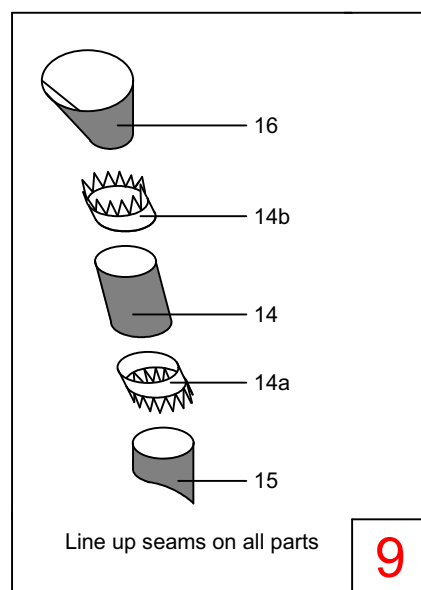
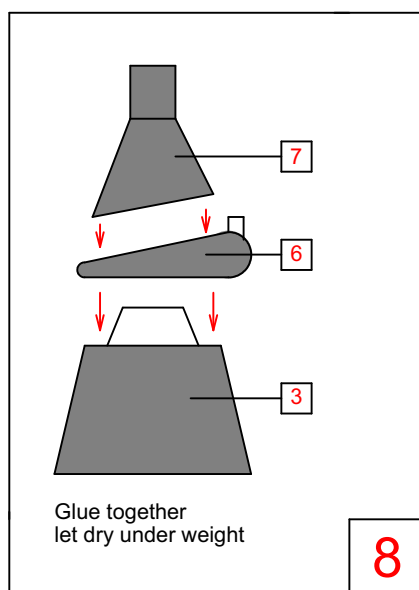
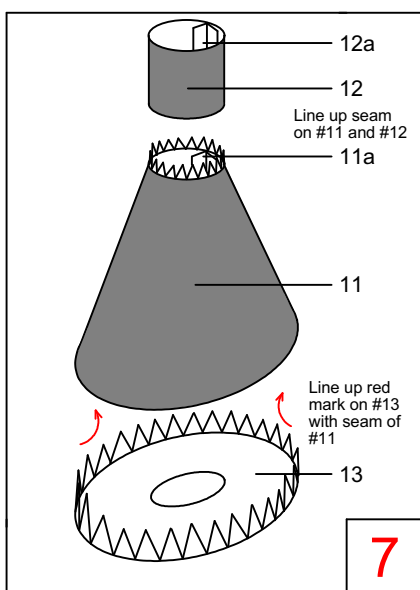
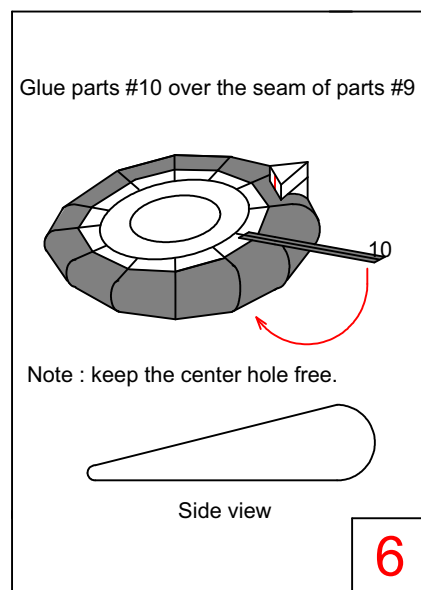
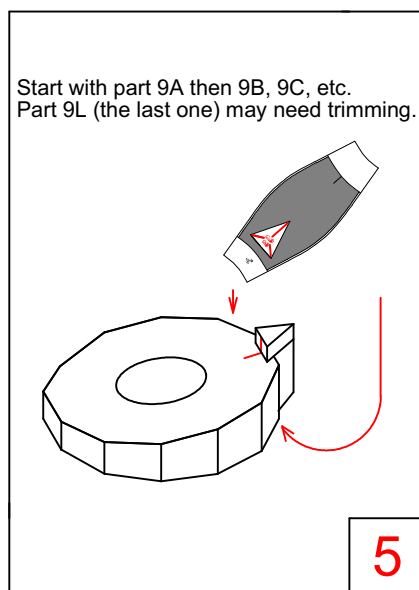
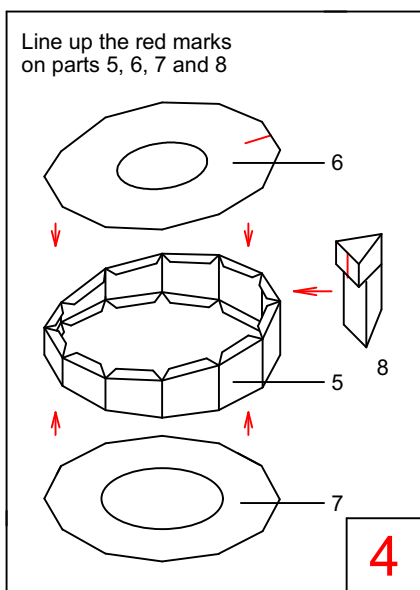
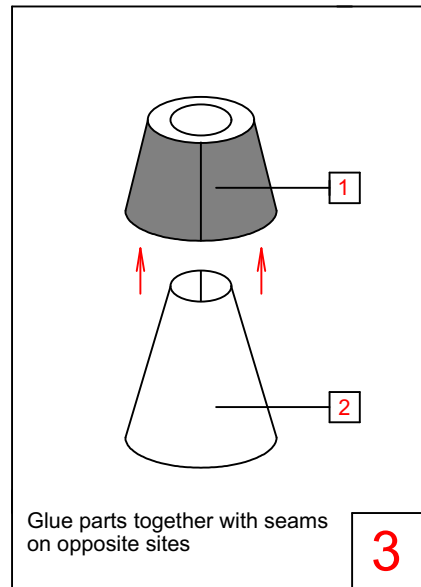
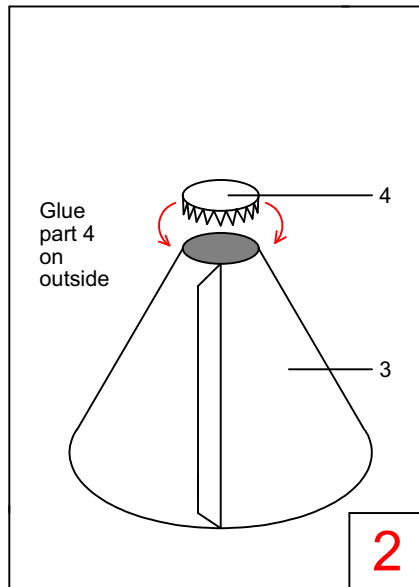
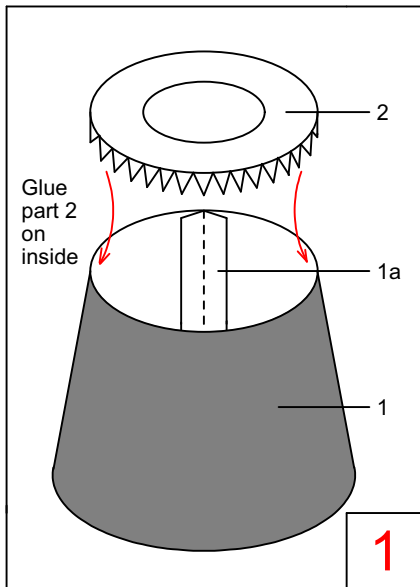
**Please keep in mind that this model is by no means a “replica”, it is just build to ad more details to the Saturn V model I have in mind, and show a bit of the complexity of the F1 Engines, and therefore it might not always be exact to scale.
And of course there are limitations in what you can do with paper.
Print out the part sheets on 8.5"x11" or A4 size white paper card stock.**

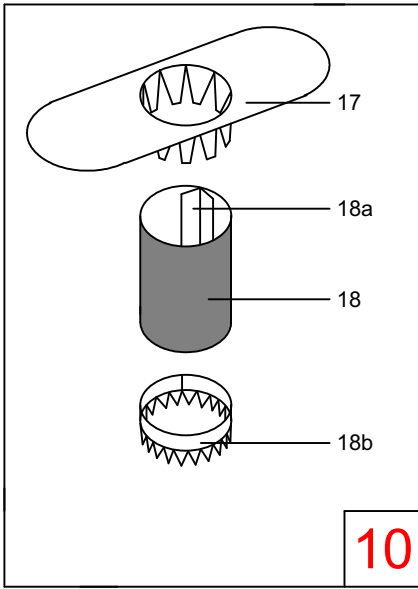
Have fun with this model, I know I did.

Greelt A. Peterusma

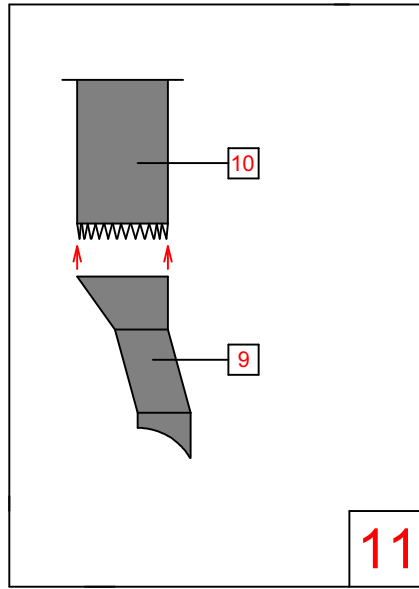
For any comments, suggestions or nice words you can contact me at:

saturn5@planet.nl

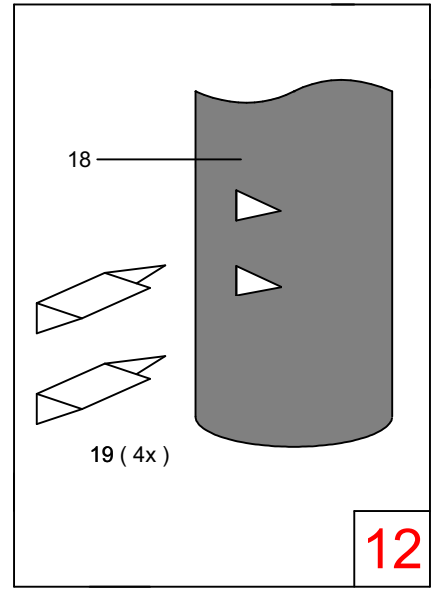




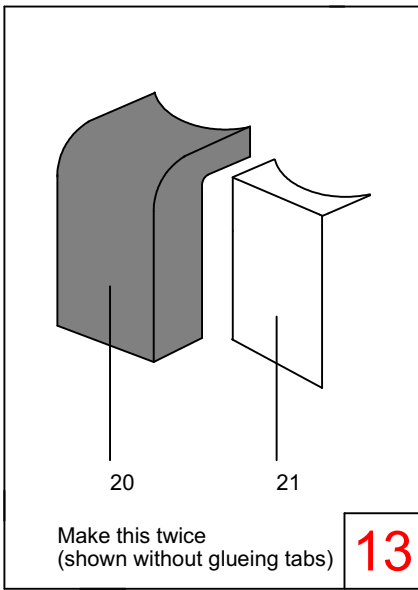
10



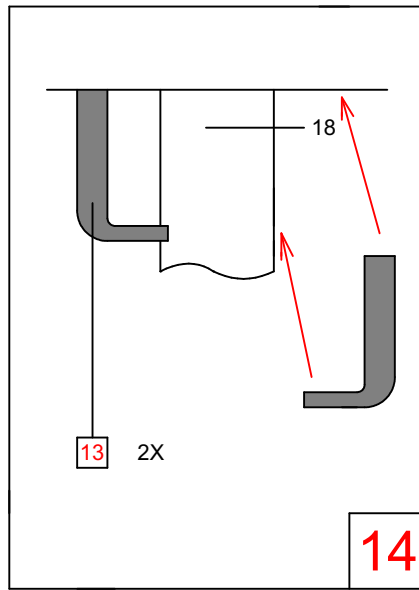
11



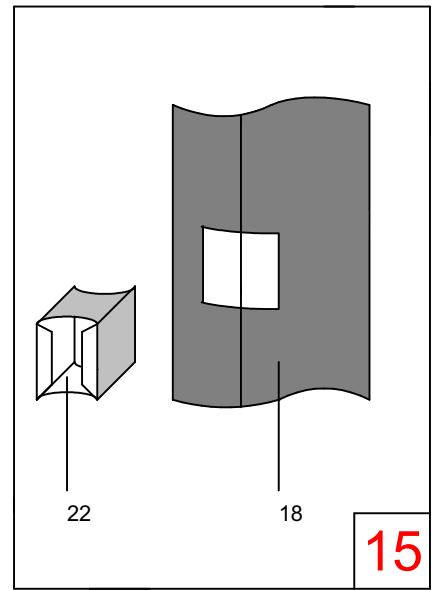
12



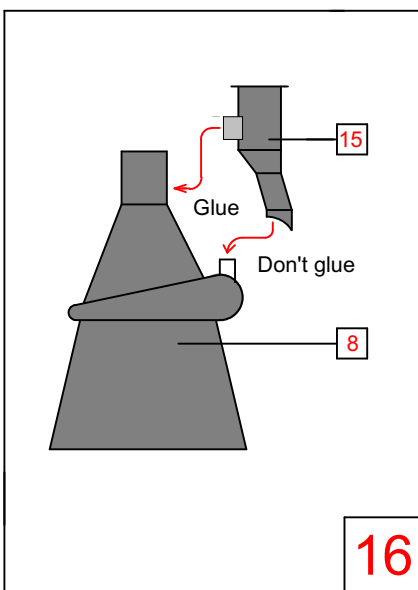
13



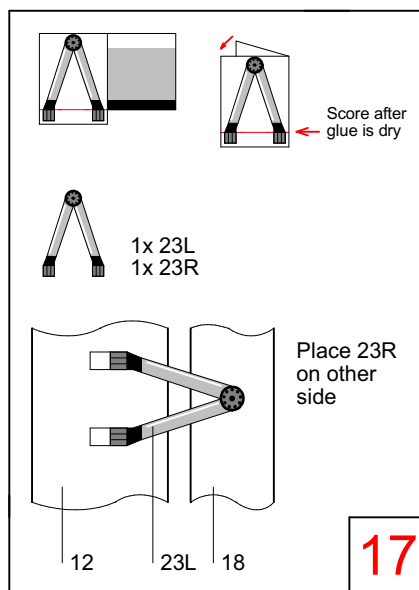
14



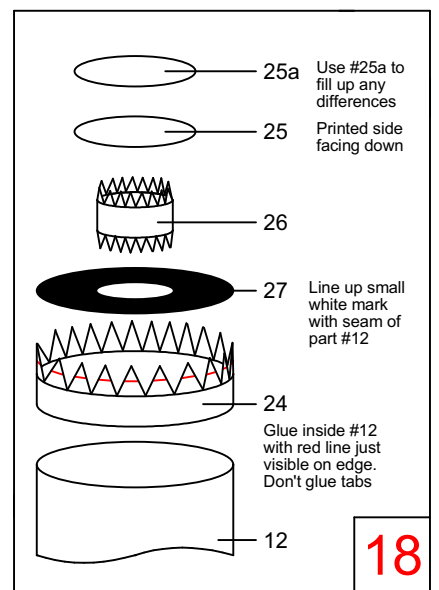
15



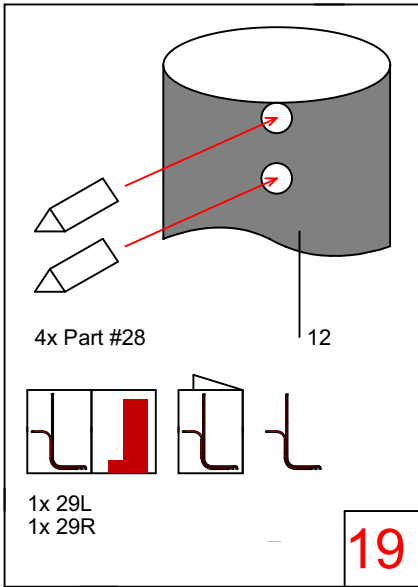
16



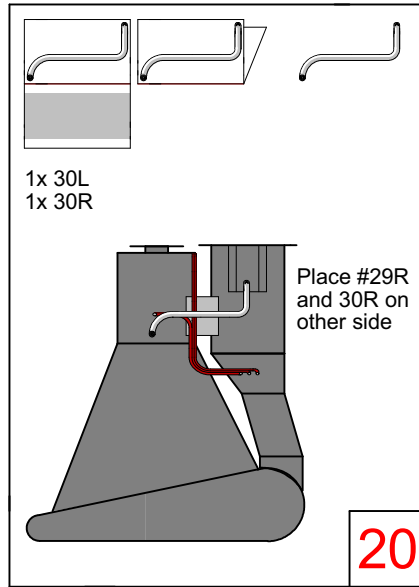
17



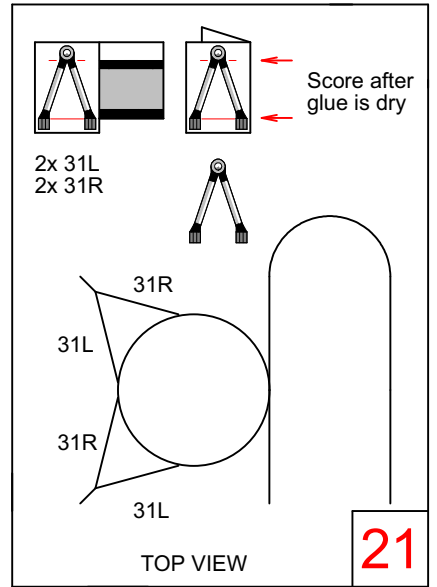
18



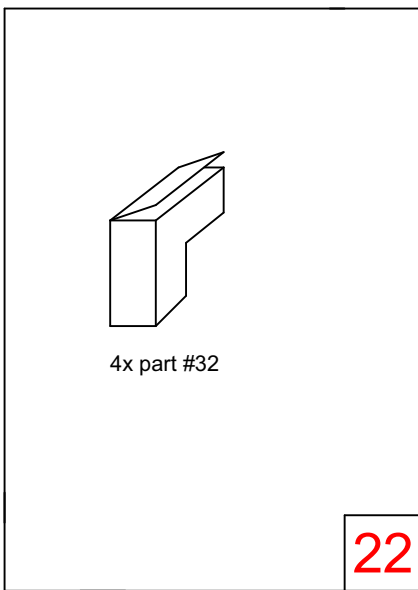
19



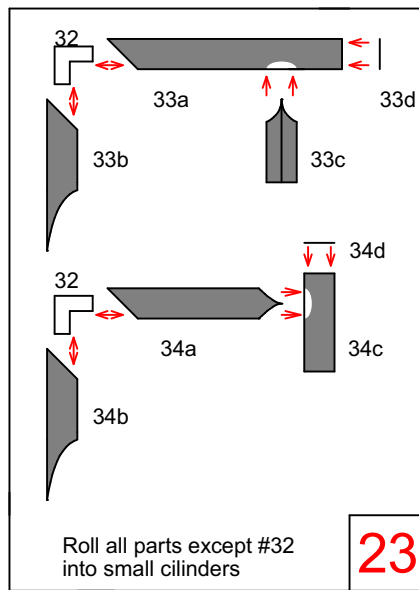
20



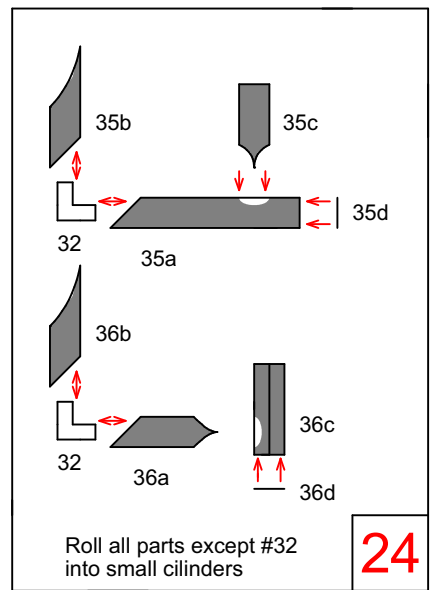
21



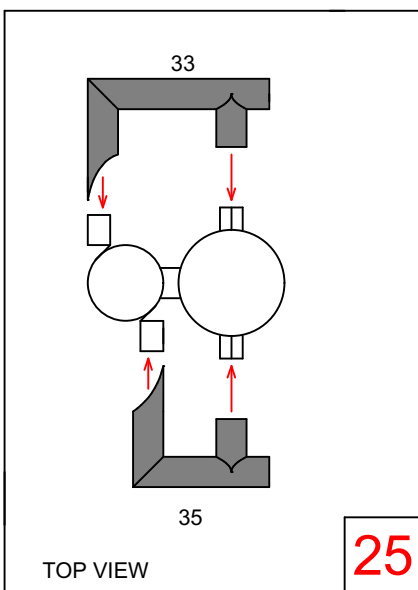
22



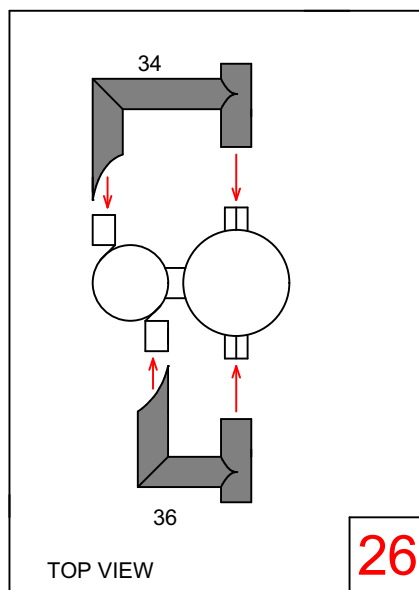
23



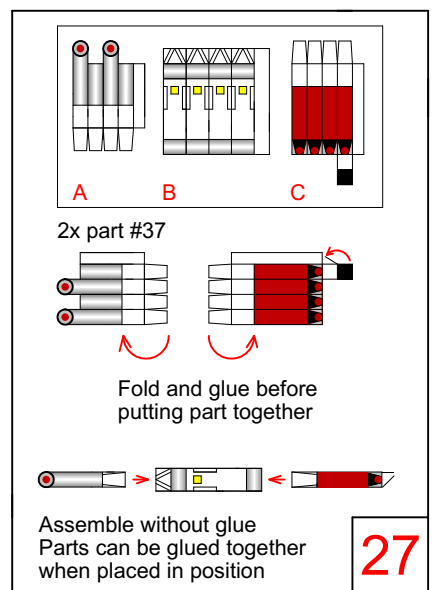
24



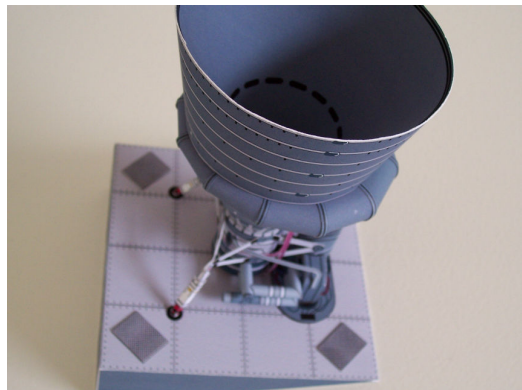
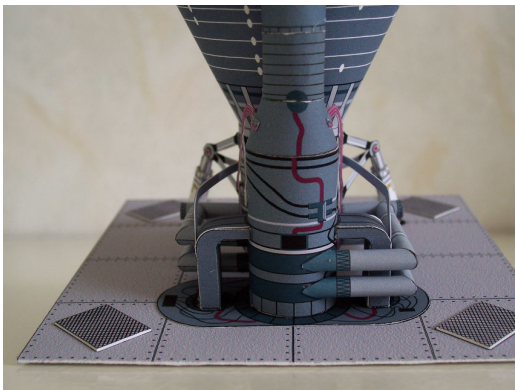
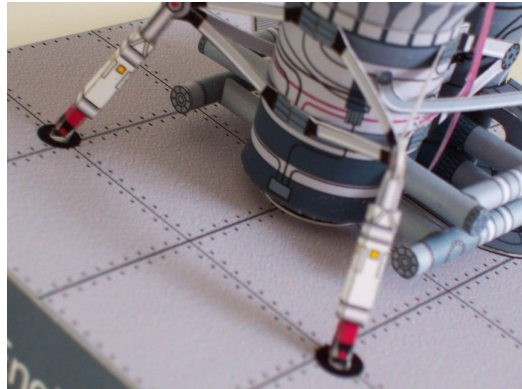
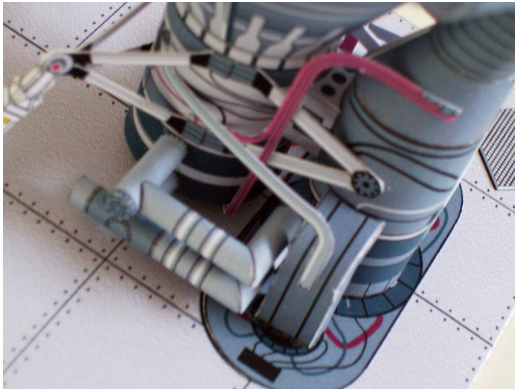
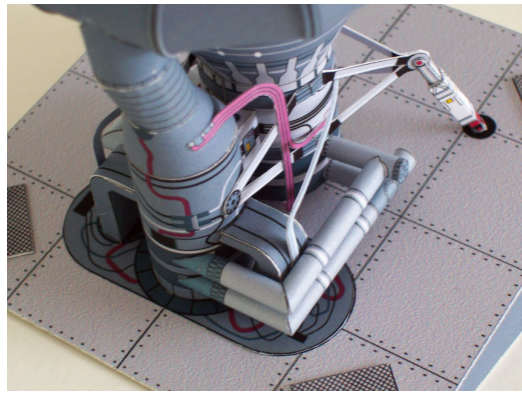
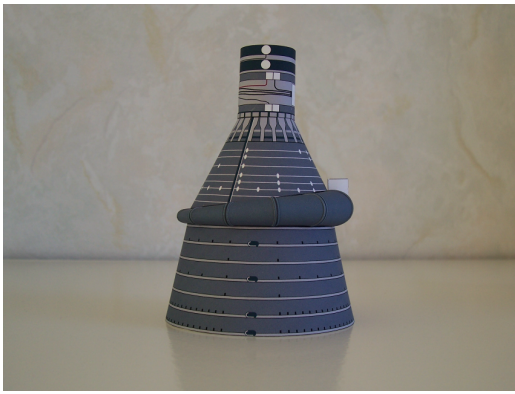
25



26



27



Revision 1:
Changed some details within this instruction
Changed numbers on parts #34 and #35
Changed parts #34c and #36c
Added email address to instructions