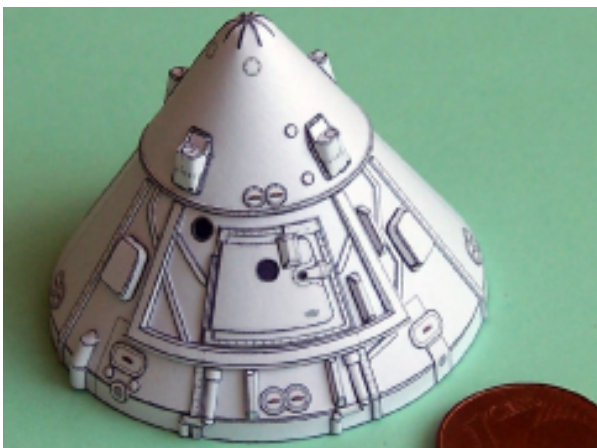
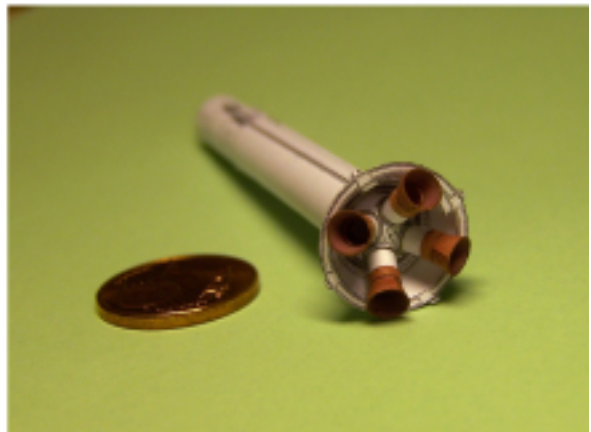
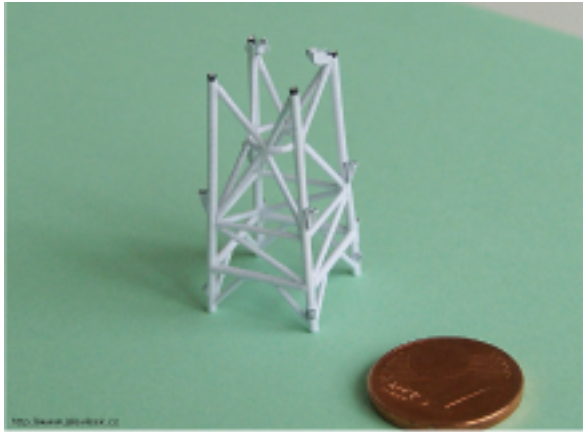
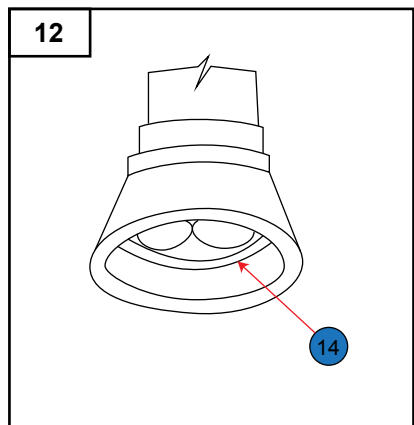
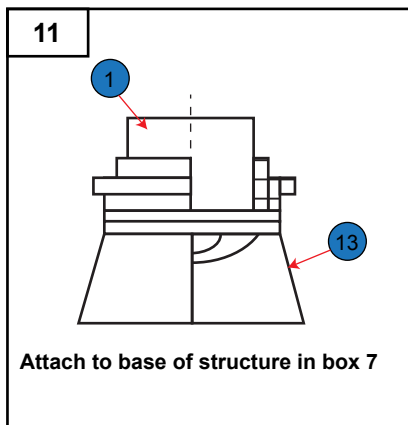
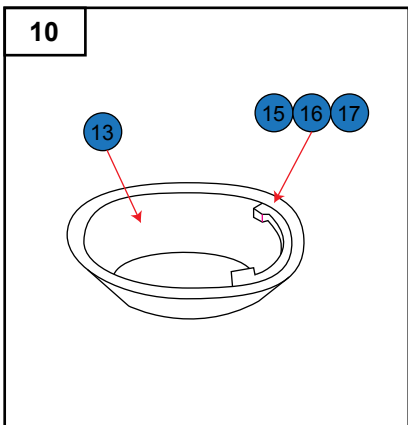
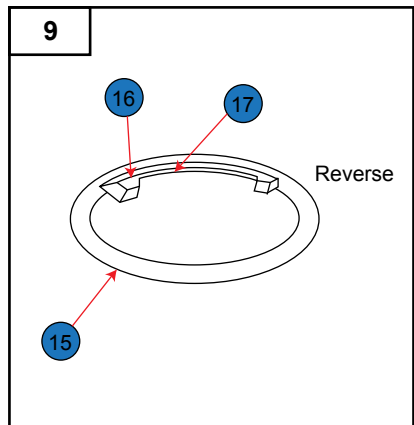
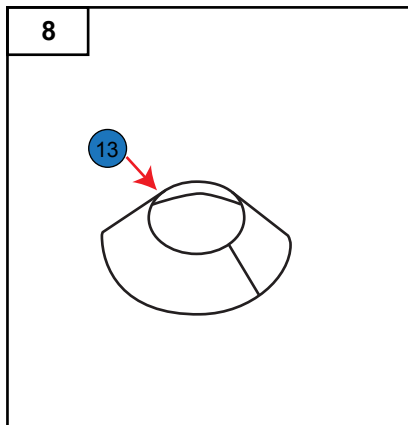
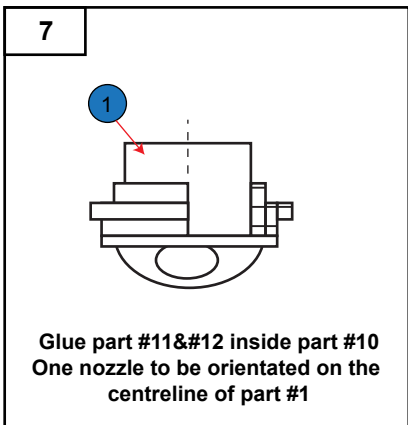
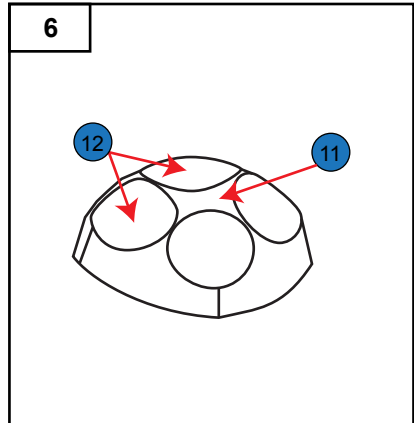
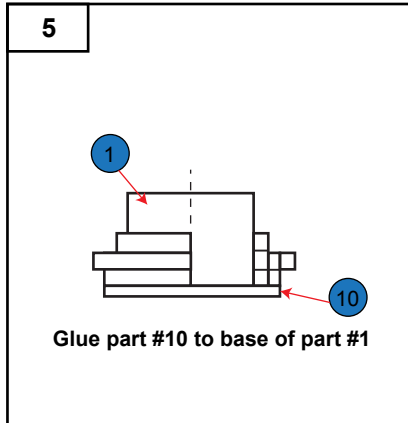
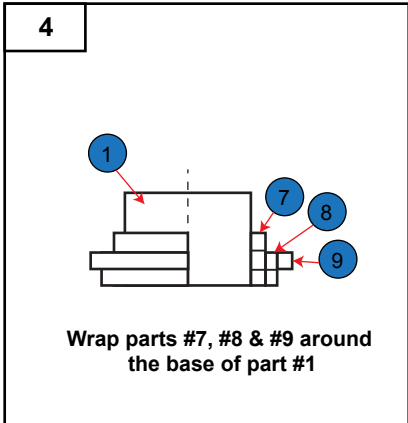
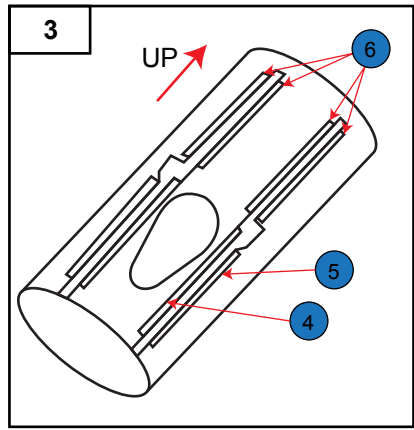
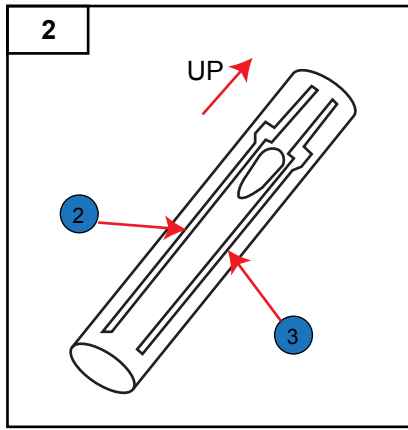
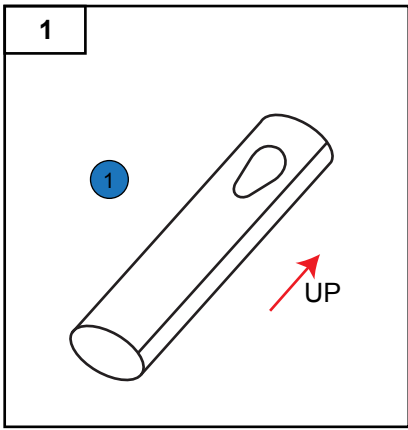


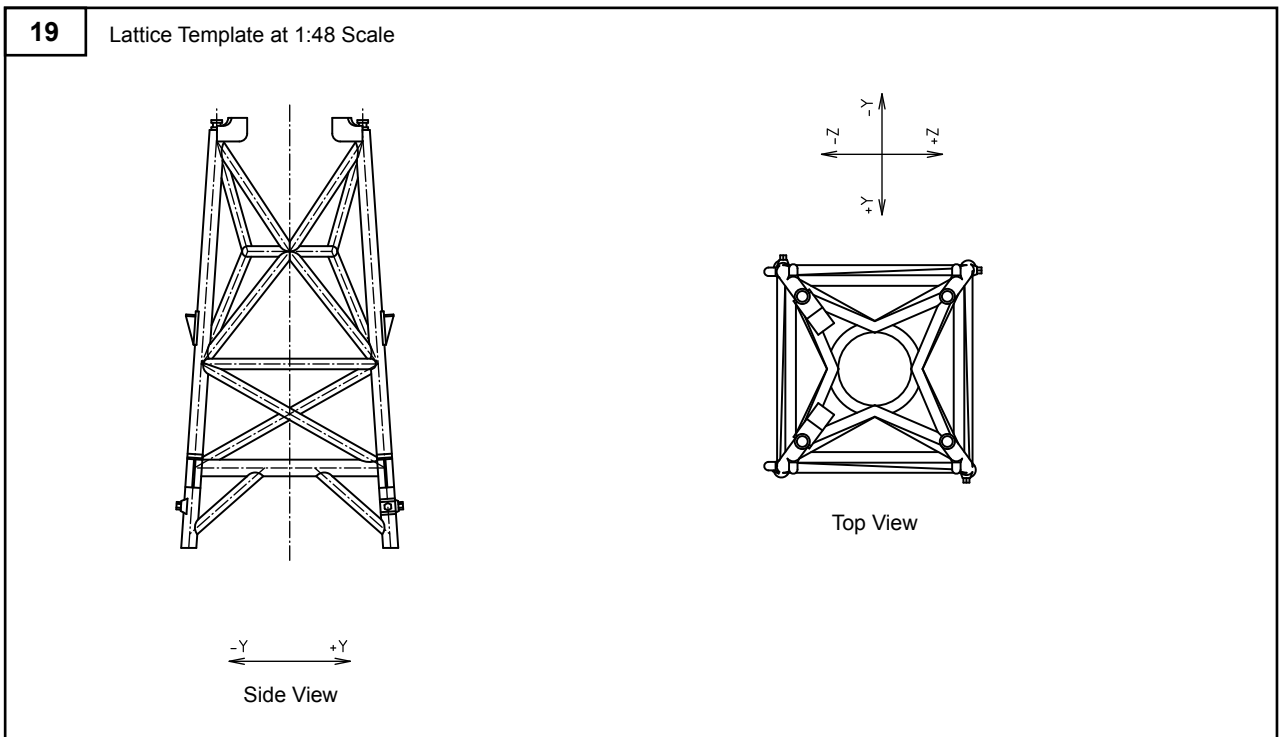
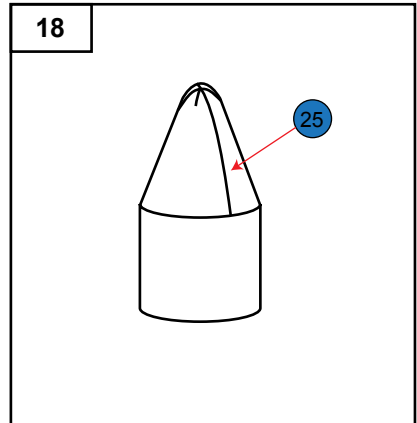
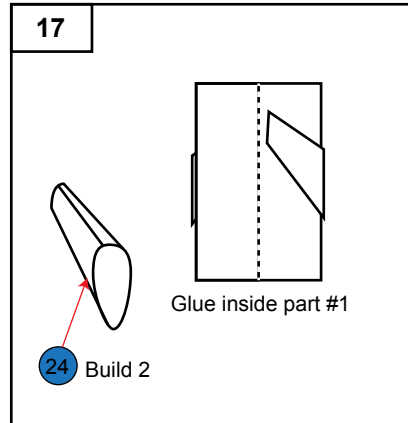
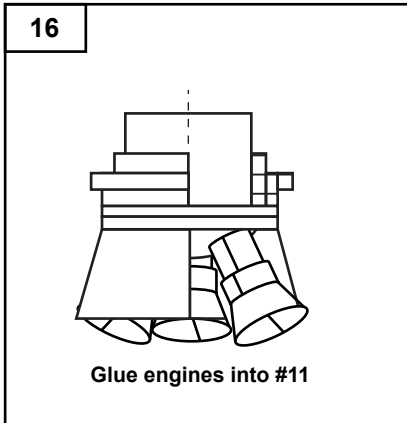
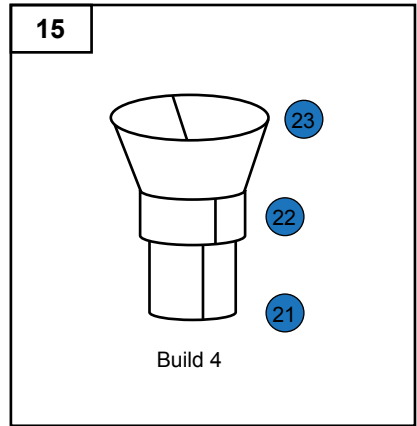
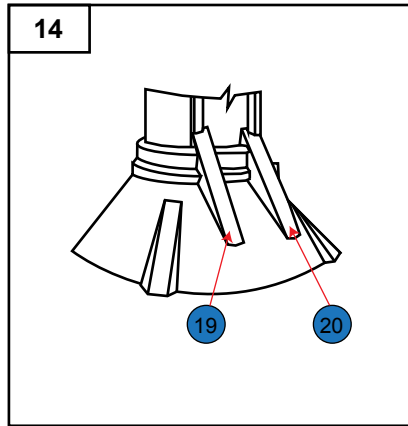
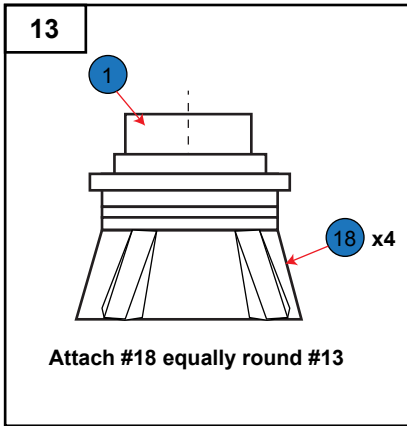


Apollo / Saturn V

Instructions for Launch Escape Systems Lattice &
Motor & Skirt Parts
Boost Protective Cover







Instructions for Boost protective cover

