

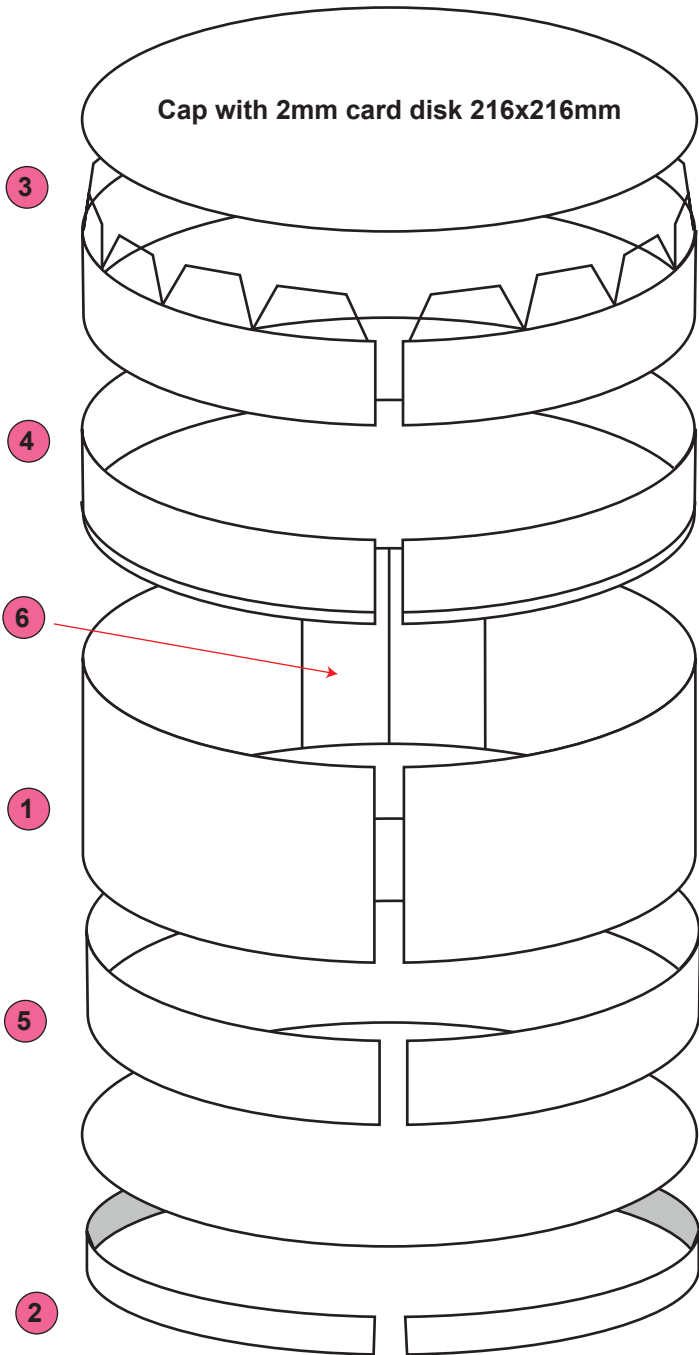


Apollo / Saturn V

Instructions for Stage Two

Base Skirt Instructions (Page 1-4)

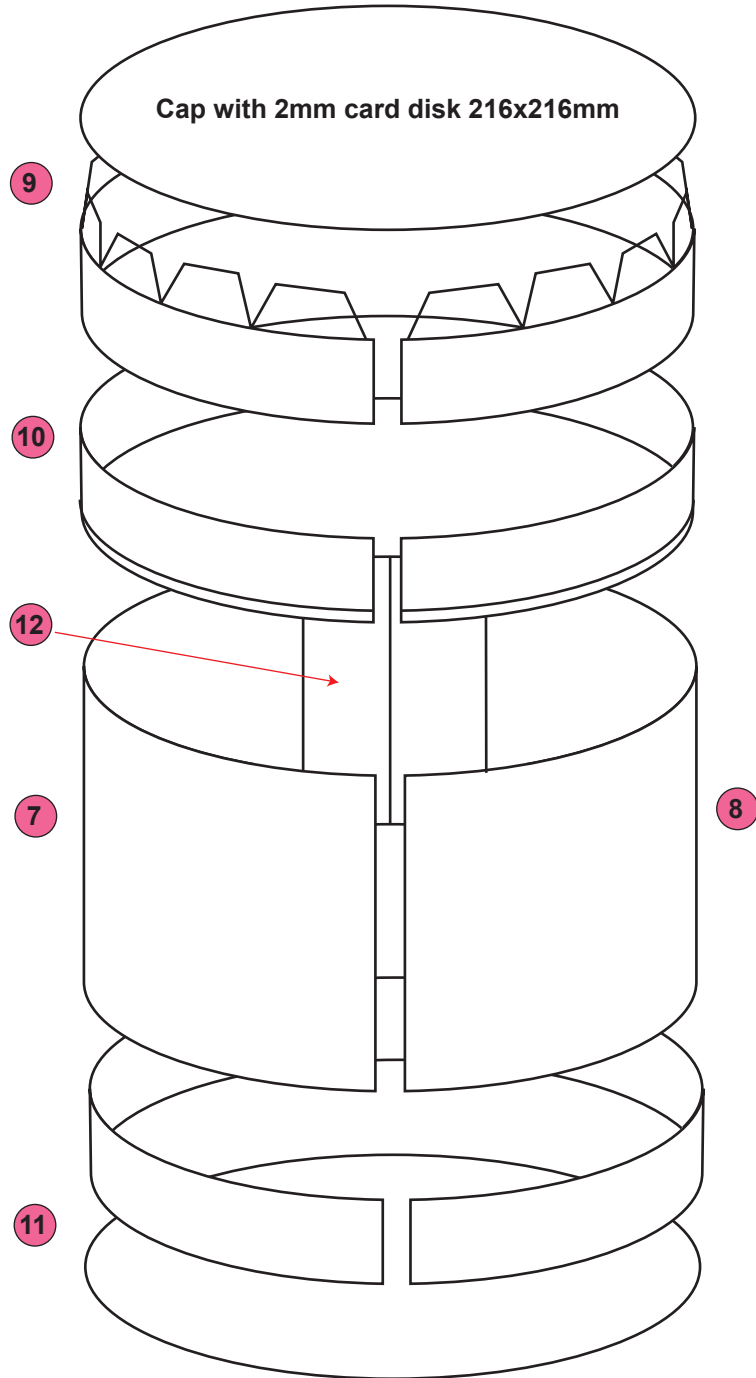
- Join Part #1 with Part #6
- Glue Part #4 inside Part #1
- Glue Part #3 inside Part #4
- Glue Part #5 Inside part #1
- Glue Part #2 inside Part #1
- Insert disk above part #2 inside part #1
- Cap off part #3 with a second disk



Glue card disk above part #2 measuring 216mmx216mm
There Are four pieces to each part in this structure

Main Body Part 1 (Page 5-9)

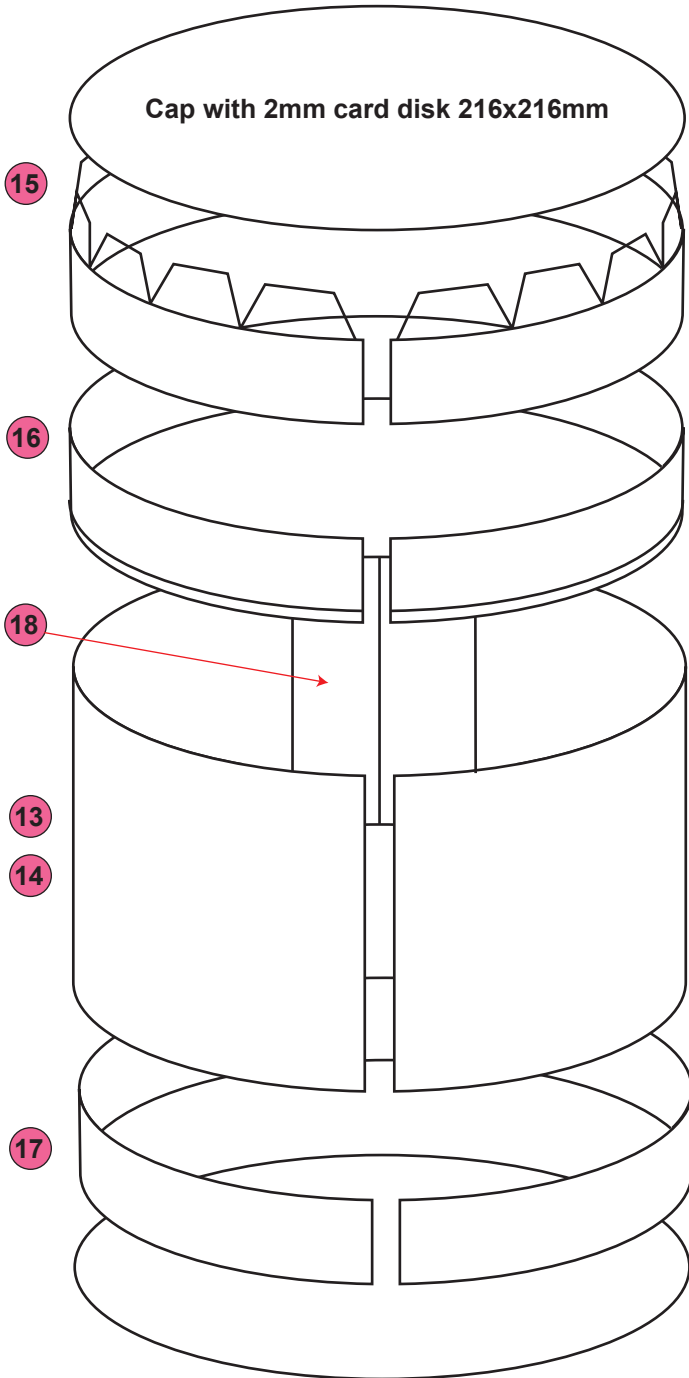
- Join Part #7 and #8 alternating between them using part #12
- Glue Part #11 inside Part #7/8
- Glue Part #10 inside Part #7/8
- Glue Part #9 Inside part #10
- Cap off top and bottom of part #7 with 2mm disks



Cap with 2mm card disk 216x216mm
There Are four pieces to each part in this structure

Main Body Part 2 (Page 10-14)

Join Part #13 and #14 alternating between them
 unising part #18
 Glue Part #17 inside Part #13/14
 Glue Part #16 inside Part #13/14
 Glue Part #15 Inside part #16
 Cap off top and bottom of part #13/14 with 2mm disks



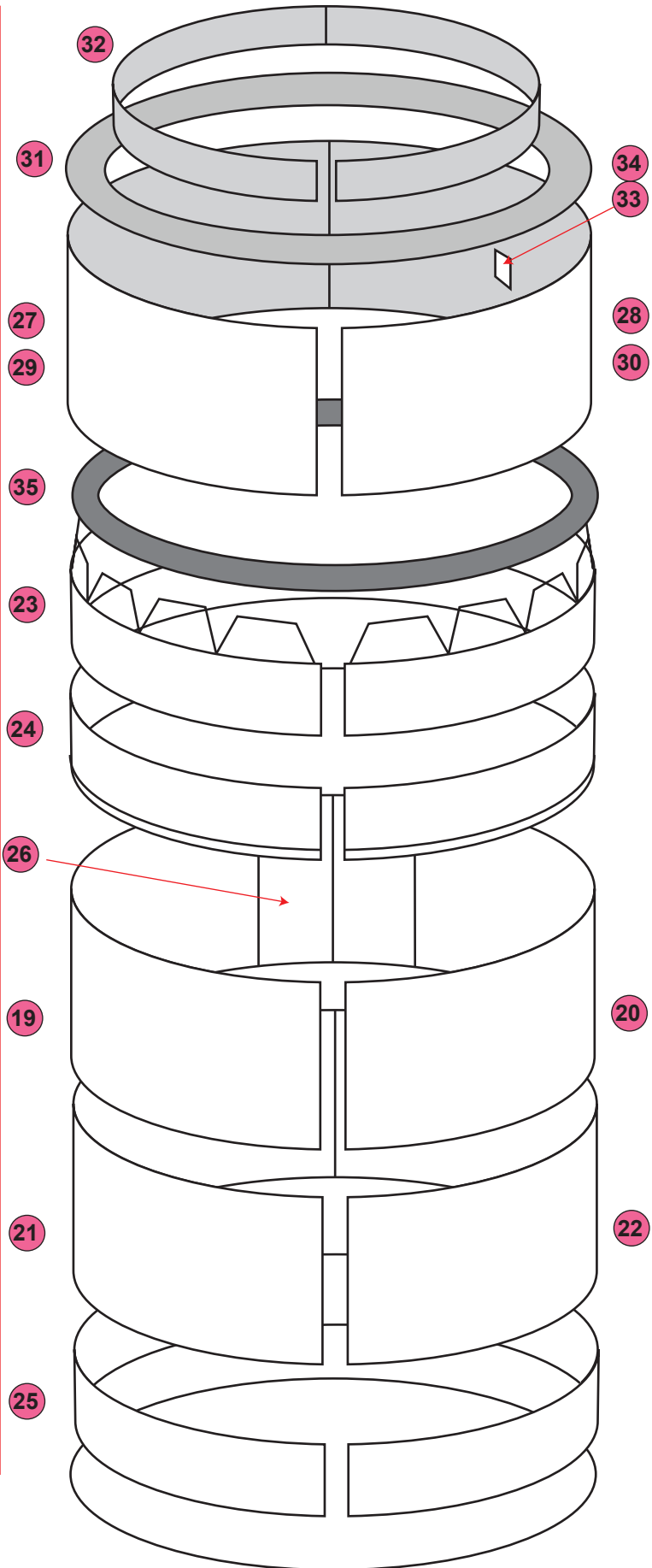
Cap with 2mm card disk 216x216mm

Cap with 2mm card disk 216x216mm

There Are four pieces to each part in this structure

Top Skirt Instructions (Page 15-21)

Join Part #19x3 with Part #20
 Glue Part #21x3 and part #21 inside Part #19/20
 Glue Part #25 inside Part #19/20
 Glue Part #24 Inside part #19/20
 Glue Part #23 inside Part #24
 Glue Parts #27, #28, #29 & #30 inside part #23



Cap with 2mm card disk 216x216mm

There Are four pieces to each part in this structure

Glue parts #33 & #34 as indicated in part #27/28/29/30
 Insert part #35 on 2mm card below part #27/28/29/30
 Insert Part #31 on 2mm card on top of part #27/28/29/30
after inserting dome then insert part #32 inside part #31 inner ring
 Cap off base of part #19/20 with a 2mm card disk

Main Body Detail Parts (Pages 22-24)

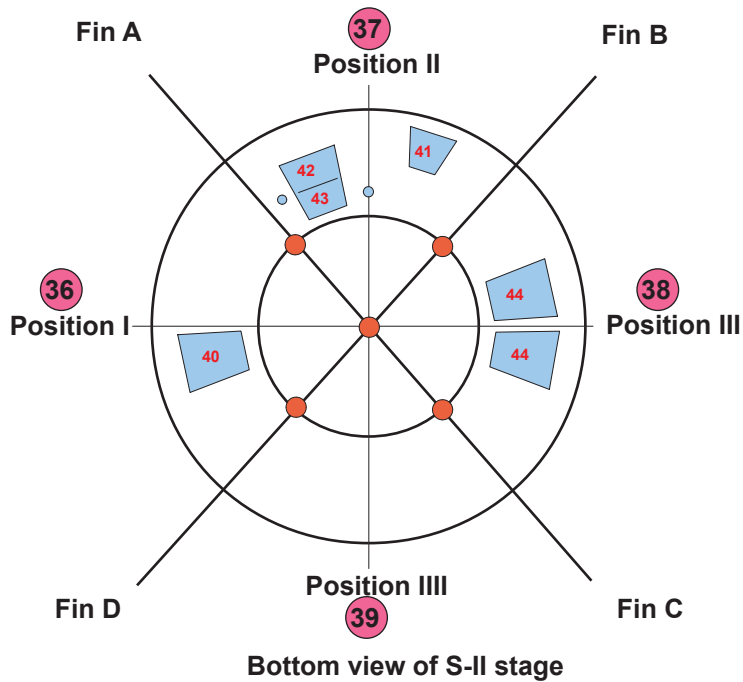
Join Parts #36, #37, #38 & #39

Glue Parts #41, #42, #43 & #44 as indicated onto part #36/37/38/39

Build Engine Mounts parts #45, #46, #47, #48, #49 & #50

Glue Parts #45/46/47/48/49/50 inside part #36/37/38/39

Glue inside Base Skirt



Fuel Tank Dome (pages 25-27)

Glue parts #51 together to form dome

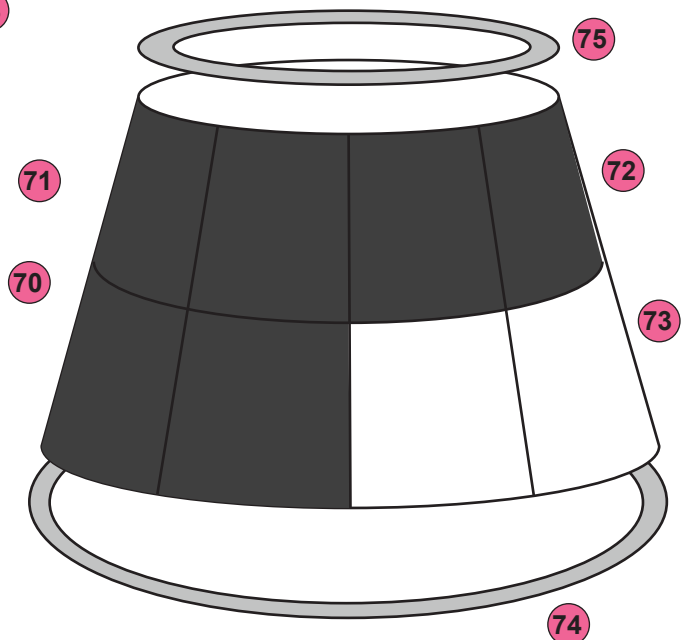
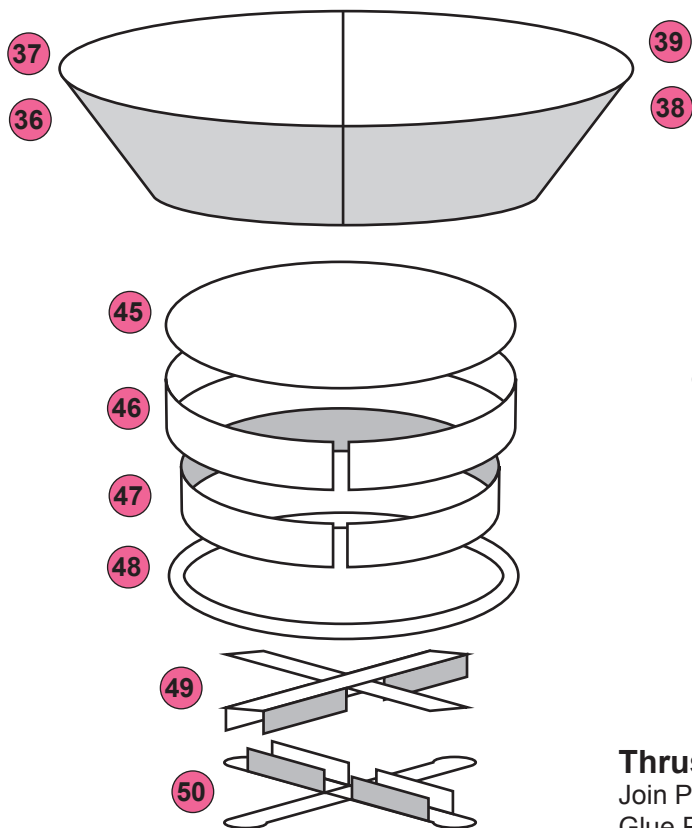
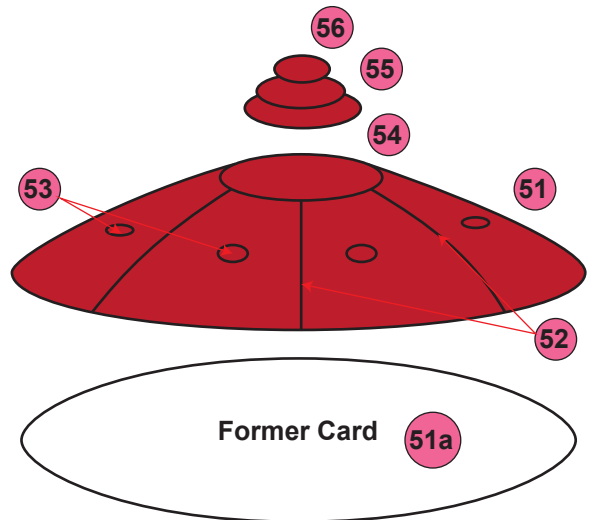
Glue Part #51 onto the former part #51a

Glue Part #52 onto part #51 as indicated

Glue Part #53 onto part #51 as indicated

Glue part #56 onto part #55 and onto part #54 then attach to Part #51

Glue inside Top Skirt



Thrustor Shield (Pages 30-31)

Join Part #70 and #71 and #72 and #73

Glue Part #74 on 2mm card inside base of part #70/71/72/73

Glue part #75 on 2mm card inside top of part #70/71/72/73

Attach to Main Body

Build the tunnel and Thrusters in the same manner as Stage One and attach as indicated